

CARTA KUMPULAN

SINGLE LELAKI

KUMP A	
A1	UTEM 1
A2	UM 1
A3	USM 1
A4	-

KUMP B	
B1	UMK 3
B2	UPM 1
B3	UITM 1
B4	-

KUMP C	
C1	UMK 1
C2	UMP
C3	UTM 2
C4	IUUM 1

KUMP D	
D1	UNIKL 1
D2	UITM 3
D3	UTHM 3
D4	KKMAS 1

KUMP E	
E1	UITM 2
E2	UPM 2
E3	UMK 2
E4	UTEM 3

KUMP F	
F1	UTHM 2
F2	USM 2
F3	UM 2
F4	UNIKL 2

KUMP G	
G1	UPSI
G2	UTHM 1
G3	UTM 1
G4	UNISZA

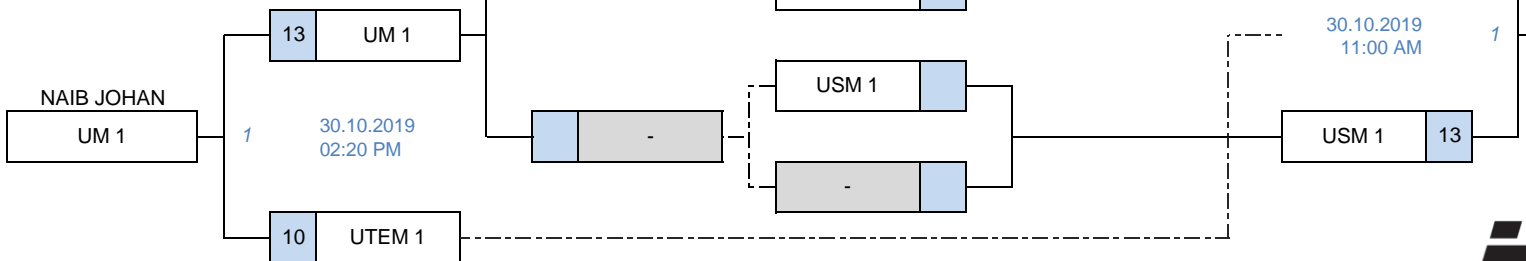
KUMP H	
H1	KKMAS 2
H2	IUUM 2
H3	UTEM 2
H4	UPM 3

JADUAL PERTANDINGAN

BIL	TARIKH	MASA	KUMP	KOD	PERLAWANAN ANTARA			NO. GEL	CATATAN
					PASUKAN A	LWN	PASUKAN B		
					PUSINGAN SATU				
1	30.10.2019	08:20 AM	KUMP A	SL K1 01	UTEM 1	LWN	UM 1		
2	30.10.2019	08:20 AM	KUMP B	SL K2 01	UMK 3	LWN	UPM 1		
3	30.10.2019	08:20 AM	KUMP C	SL K3 01	UMK 1	LWN	UMP		
4	30.10.2019	08:20 AM	KUMP C	SL K3 02	UTM 2	LWN	IUUM 1		
5	30.10.2019	08:20 AM	KUMP D	SL K4 01	UNIKL 1	LWN	UITM 3		
6	30.10.2019	08:20 AM	KUMP D	SL K4 02	UTHM 3	LWN	KKMAS 1		
7	30.10.2019	08:20 AM	KUMP E	SL K5 01	UITM 2	LWN	UPM 2		
8	30.10.2019	08:20 AM	KUMP E	SL K5 02	UMK 2	LWN	UTEM 3		
9	30.10.2019	08:20 AM	KUMP F	SL K6 01	UTHM 2	LWN	USM 2		
10	30.10.2019	08:20 AM	KUMP F	SL K6 02	UM 2	LWN	UNIKL 2		
11	30.10.2019	08:20 AM	KUMP G	SL K7 01	UPSI	LWN	UTHM 1		
12	30.10.2019	08:20 AM	KUMP G	SL K7 02	UTM 1	LWN	UNISZA		
13	30.10.2019	09:30 AM	KUMP H	SL K8 01	KKMAS 2	LWN	IUUM 2		
14	30.10.2019	09:30 AM	KUMP H	SL K8 02	UTEM 2	LWN	UPM 3		
15	30.10.2019	11:00 AM	KUMP A	SL K1 02	UTEM 1	LWN	USM 1		WIN 01 VS WIN 02
16	30.10.2019	11:00 AM	KUMP B	SL K2 02	UMK 3	LWN	UITM 1		WIN 01 VS WIN 02
17	30.10.2019	11:00 AM	KUMP C	SL K3 03	UMK 1	LWN	UTM 2		LOS 01 VS LOS 02
18	30.10.2019	11:00 AM	KUMP C	SL K3 04	UMP	LWN	IUUM 1		WIN 01 VS WIN 02
19	30.10.2019	11:00 AM	KUMP D	SL K4 03	UNIKL 1	LWN	UTHM 3		LOS 01 VS LOS 02
20	30.10.2019	11:00 AM	KUMP D	SL K4 04	UITM 3	LWN	KKMAS 1		WIN 01 VS WIN 02
21	30.10.2019	11:00 AM	KUMP E	SL K5 03	UPM 2	LWN	UTEM 3		LOS 01 VS LOS 02
22	30.10.2019	11:00 AM	KUMP E	SL K5 04	UITM 2	LWN	UMK 2		WIN 01 VS WIN 02
23	30.10.2019	11:00 AM	KUMP F	SL K6 03	USM 2	LWN	UM 2		LOS 01 VS LOS 02
24	30.10.2019	11:00 AM	KUMP F	SL K6 04	UTHM 2	LWN	UNIKL 2		WIN 01 VS WIN 02
25	30.10.2019	11:00 AM	KUMP G	SL K7 03	UPSI	LWN	UTM 1		LOS 01 VS LOS 02
26	30.10.2019	11:00 AM	KUMP G	SL K7 04	UTHM 1	LWN	UNISZA		WIN 01 VS WIN 02
27	30.10.2019	12:15 PM	KUMP H	SL K8 03	IUUM 2	LWN	UPM 3		LOS 01 VS LOS 02
28	30.10.2019	12:15 PM	KUMP H	SL K8 04	KKMAS 2	LWN	UTEM 2		WIN 01 VS WIN 02
29	30.10.2019	02:20 PM	KUMP A	SL K1 03	UM 1	LWN	UTEM 1		WIN 03 VS LOS 04
30	30.10.2019	02:20 PM	KUMP B	SL K2 03	UPM 1	LWN	UMK 3		WIN 03 VS LOS 04
31	30.10.2019	02:20 PM	KUMP C	SL K3 05	UMK 1	LWN	UMP		WIN 03 VS LOS 04
32	30.10.2019	02:20 PM	KUMP D	SL K4 05	UTHM 3	LWN	KKMAS 1		WIN 03 VS LOS 04
33	30.10.2019	02:20 PM	KUMP E	SL K5 05	UPM 2	LWN	UMK 2		WIN 03 VS LOS 04
34	30.10.2019	02:20 PM	KUMP F	SL K6 05	UM 2	LWN	UTHM 2		WIN 03 VS LOS 04
35	30.10.2019	02:20 PM	KUMP G	SL K7 05	UTM 1	LWN	UNISZA		WIN 03 VS LOS 04
36	30.10.2019	02:20 PM	KUMP H	SL K8 05	IUUM 2	LWN	UTEM 2		WIN 03 VS LOS 04

HIGHER EDUCATION SPORTS FEST 2019 - PETANQUE

KUMP A	
A1	UTEM 1
A2	UM 1
A3	USM 1
A4	-

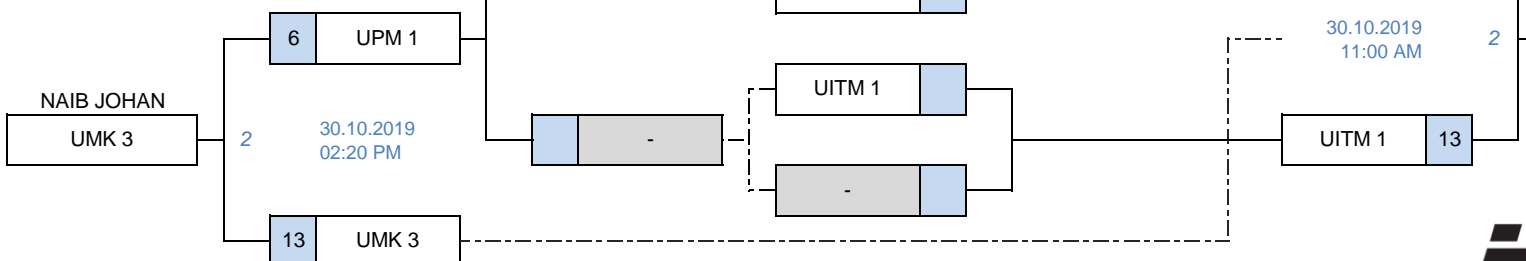


K1
SL
JOHAN
USM 1



HIGHER EDUCATION SPORTS FEST 2019 - PETANQUE

KUMP B	
B1	UMK 3
B2	UPM 1
B3	UITM 1
B4	-

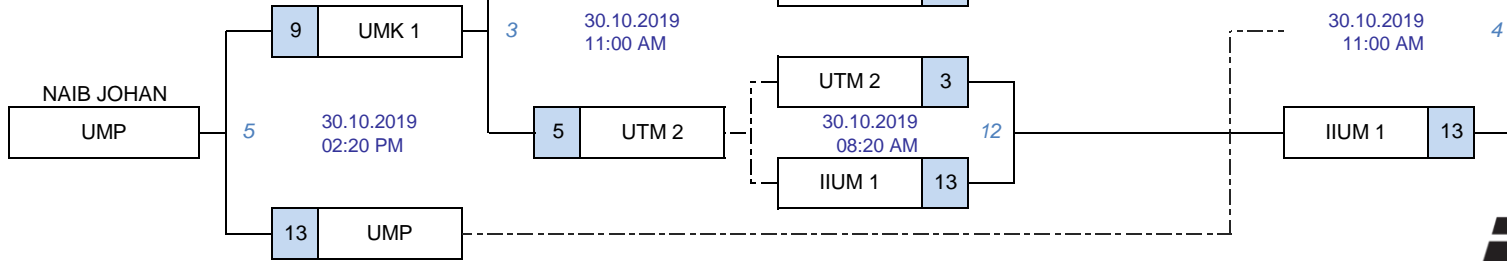


K2
SL
JOHAN
UITM 1



HIGHER EDUCATION SPORTS FEST 2019 - PETANQUE

KUMP C	
C1	UMK 1
C2	UMP
C3	UTM 2
C4	IIUM 1

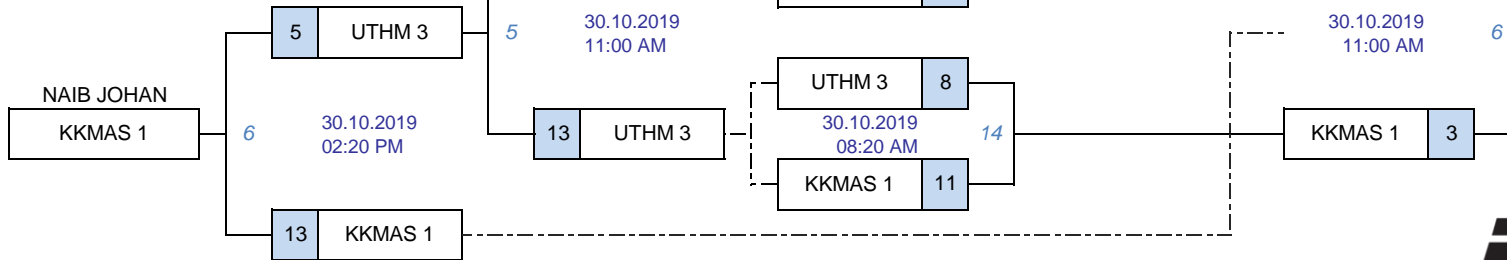


K3
SL
JOHAN
IIUM 1



HIGHER EDUCATION SPORTS FEST 2019 - PETANQUE

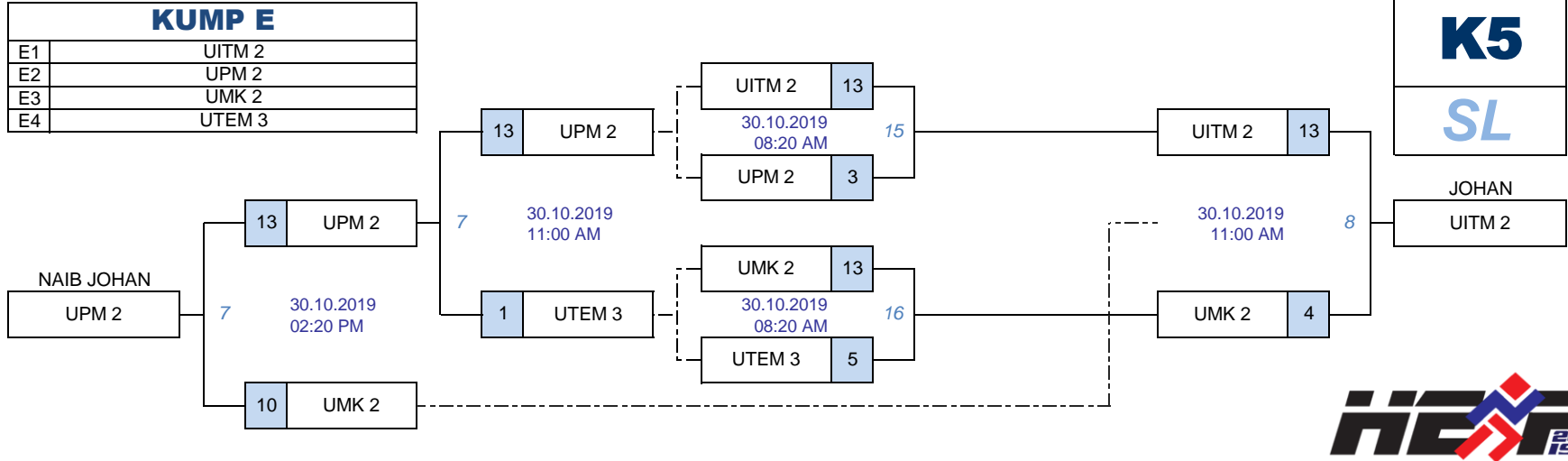
KUMP D	
D1	UNIKL 1
D2	UITM 3
D3	UTHM 3
D4	KKMAS 1



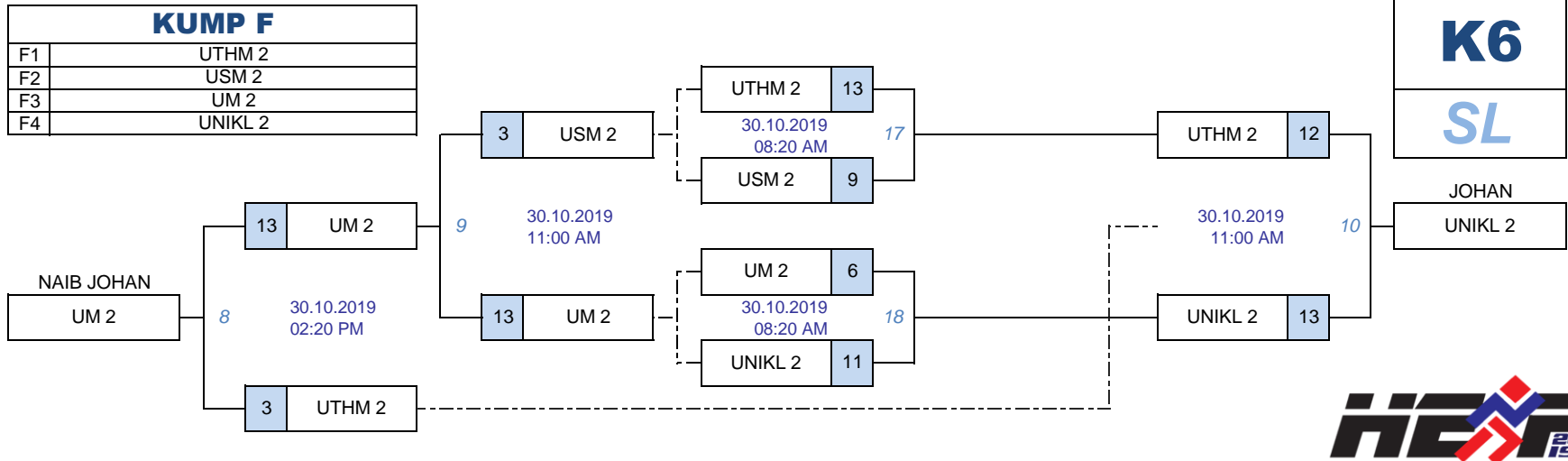
K4
SL
JOHAN
UITM 3



HIGHER EDUCATION SPORTS FEST 2019 - PETANQUE

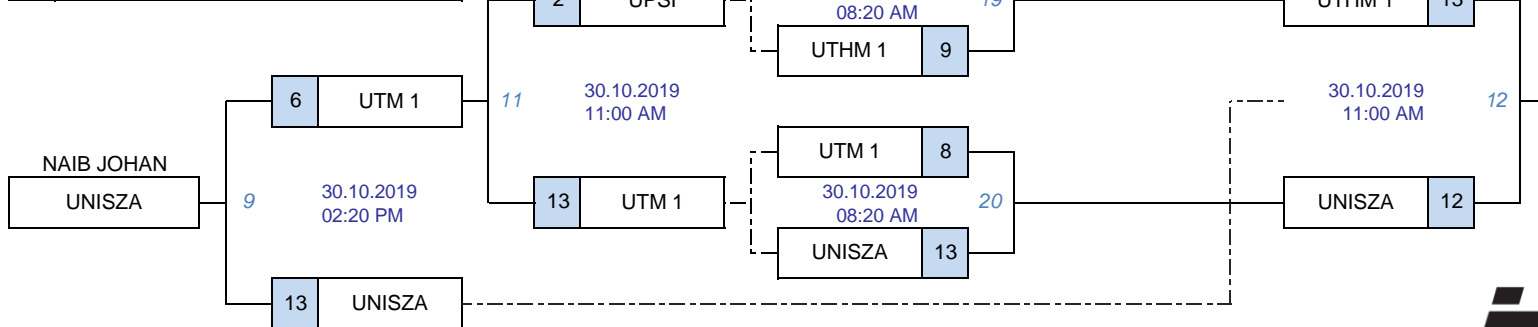


HIGHER EDUCATION SPORTS FEST 2019 - PETANQUE



HIGHER EDUCATION SPORTS FEST 2019 - PETANQUE

KUMP G	
G1	UPSI
G2	UTHM 1
G3	UTM 1
G4	UNISZA

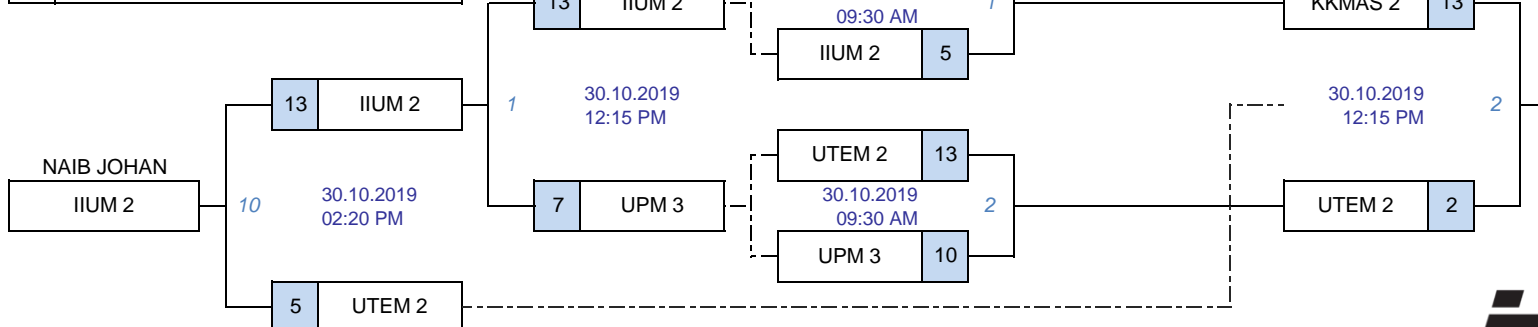


K7
SL
JOHAN UTHM 1



HIGHER EDUCATION SPORTS FEST 2019 - PETANQUE

KUMP H	
H1	KKMAS 2
H2	IIUM 2
H3	UTEM 2
H4	UPM 3



K8
SL
JOHAN KKMAS 2

